

Model OD11 Swirl Diffuser



Model PG perforated grille are designed to handle high air change rates and high cooling differentials.

Features

- High capacity for heating and cooling application.
- Variable air discharge pattern.
- Individual or linked blades.
- Motorized version available.

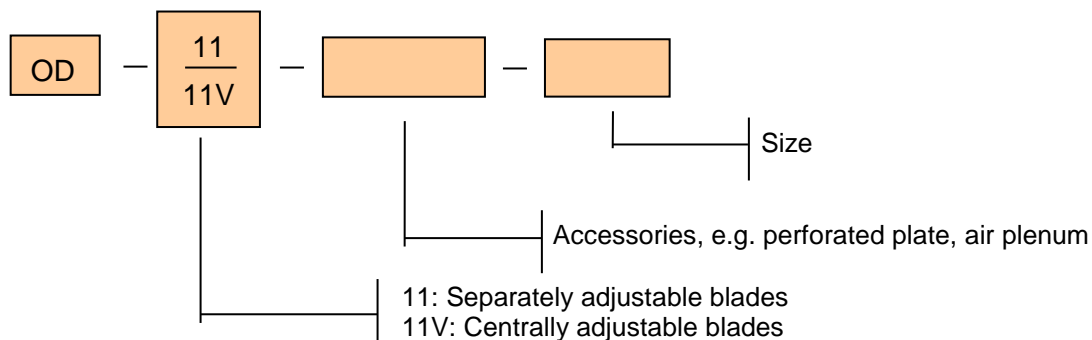
Finish

- Aluminium construction on frame. Steel construction on blades.
- Standard finish is RAL9010 powder coating. Special colour finishes are available to match architectural requirements.

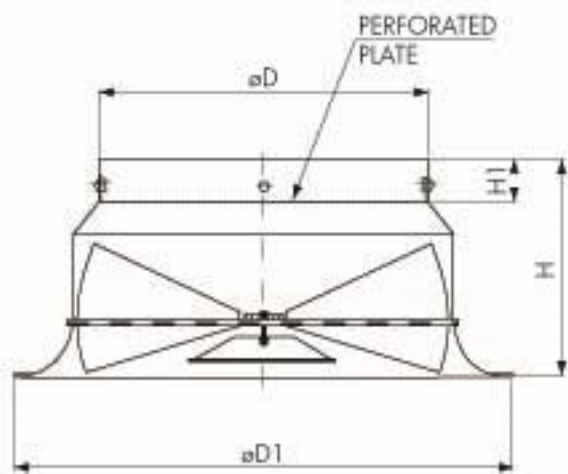
Accessories

- Perforated plate.
- Air plenum
- Actuator for motorized version

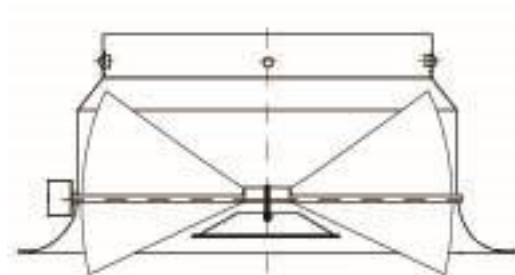
Order Code



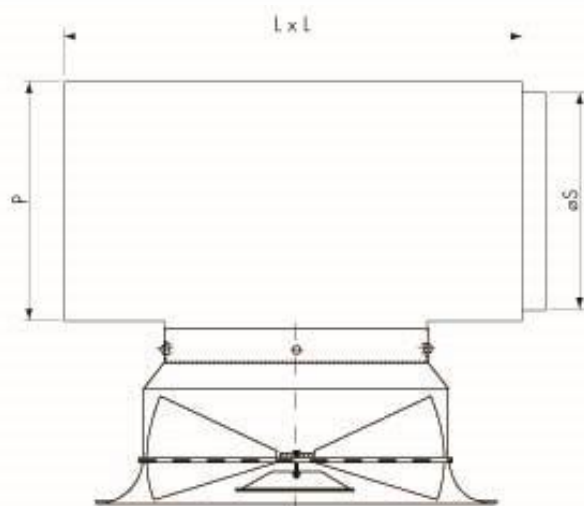
Model OD11 Swirl Diffuser



OD11/P



OD11V/B



OD11/P/K

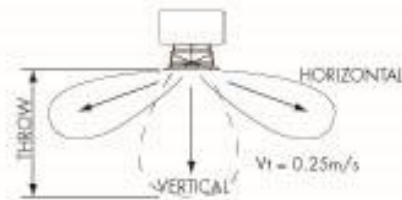
Dimension

Size	$\varnothing D1$	$\varnothing D$	H	H1	L	P	$\varnothing S$
200	310	200	174	40	482	380	248
250	400	250	200	40	482	380	248
315	480	315	240	40	482	380	248
400	615	400	265	55	582	430	298
500	790	500	320	60	807	580	348
630	940	630	380	80	807	580	448

Model OD11 Swirl Diffuser



Performance Data



Selection Example OD11/K/P/500Ø for horizontal projection

Air Volume 700 l/s
Throw 4.2 m
Pressure Drop 47 Pa
Noise Level <45 dBA_{LW}

THROW

